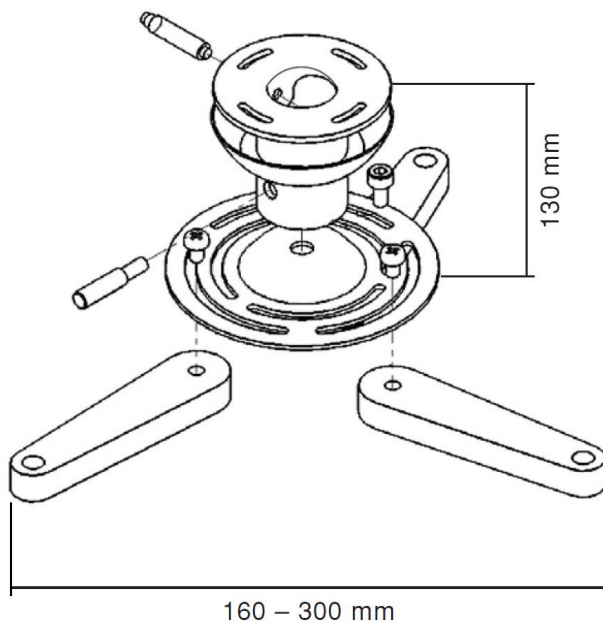
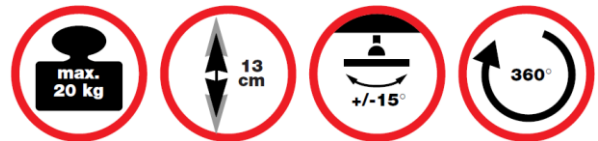


reflecta Medusa



Product information:

- Universal ceiling mount for video projectors
- Max loading weight 20 kg
- Fixed height of 13 cm
- Tilt +/-15°
- 360° Rotation

Art.Nr.: 23057
 EAN: 4005039230578

Specifications subject to change without notice



reflecta gmbh
 Merkurstrasse 8
 D 72184 Eutingen
 Phone: +49 (0) 7457 9465-60
 Fax: +49 (0) 7457 9465-72
 e-mail: mail@reflecta.de
 http: www.reflecta.de